

LIGHTNIN' STRIKE™
Automatic Hook-Set Rod Holders

NEW FEATURES

WATCH
Jimmy Houston
OUTDOORS

ESPN



AS SEEN ON
TV



Fig. 1
Lock Out in "OFF" Position
Hook-Set Feature Engaged



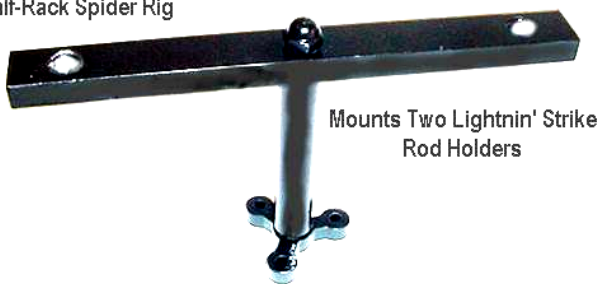
Fig. 2
Hook-Set Feature Locked Out
For Use As Stationary Rod Holder

The Lightnin' Strike Rod Holder™ now has a new "LOCK-OUT" feature. The bright plated lock-out hook is located on the trigger adjustment screw (Fig. 1). Just swing the hook under the trigger arm to engage the lock-out (Fig. 2), or swing it up out of the way to enable the automatic hook-set feature. It's easy! Now you have the option of shutting off the automatic hook-set feature, so you can use the Lightnin' Strike as a stationary rod holder with maximum support for your rod.

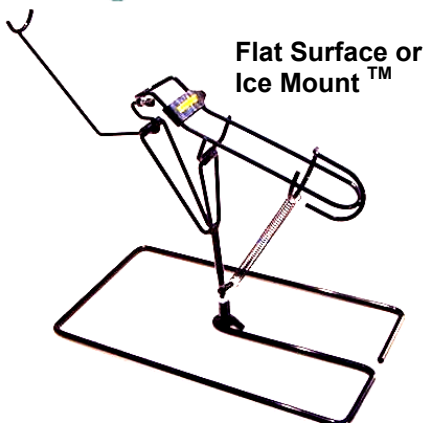


AND, the Lightnin' Strike now comes with a **FLAT SURFACE MOUNTING BASE**, at no additional cost! With Lightnin' Strike, we give you an even bigger variety of mounting options. You may still use any of the *Driftmaster Lil' Pro®* base mounts, or the other optional Lightnin' Strike mounts as well.

Half-Rack Spider Rig



Mounts Two Lightnin' Strike
Rod Holders



Flat Surface or
Ice Mount™

Be sure and keep a drop of oil on each hinge-point of your rod holder for maximum hook-setting power!

VISIT OUR WEBSITE FOR MORE TIPS AT
www.lightnin-strike.com



Ground Stake™ Kit



Sand Spike™



Fig. 3



Fig. 4



- This is the recommended method to attach the Velcro® strap to properly retain your rod.
- Slide the strap over the rod, and under the left side rail (Fig. 3). Pull strap back over to the right and secure (Fig. 4).

Note: Do not pull tight, as may cause trigger to release prematurely!

- If rod handle is too long (baitcast, spinning or spincast) to fit inside of wire cage, it works fine to stick handle thru wire or place the reel in front of the Velcro strap (see Fig. 5). Check for clearance and make sure handle does not interfere with mount.

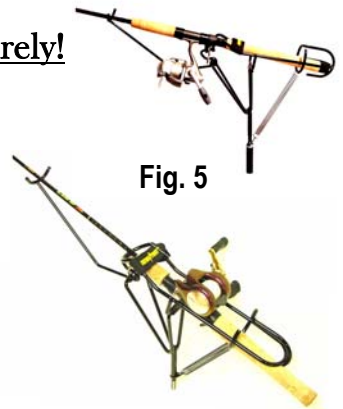
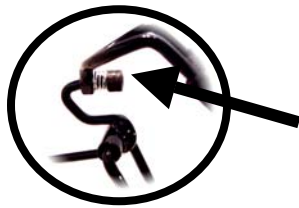


Fig. 5

Interesting note:



- Lightnin' Strike has the unique feature of a fully-adjustable sensitivity trigger. When you first open your Lightnin' Strike, the trigger screw is adjusted all the way in (to keep the screw from potentially getting lost during shipment). Back the screw out to set the trigger for just the sensitivity that you want. *(For trolling heavy baits, you may want to remove the screw altogether!)* Lightnin' Strike has been used to catch stringers of those light-biting crappie in the mid-west and has even been used in smash-mouth shark fishing in the Gulf of Mexico! No matter what you're fishing for, Lightnin' Strike's reaction to a hook-set is faster than a human's reaction time. *(If yours is faster, then you should consider cutting back on the caffeine!)*

THANK YOU FOR YOUR BUSINESS, AND CATCH MORE FISH!

